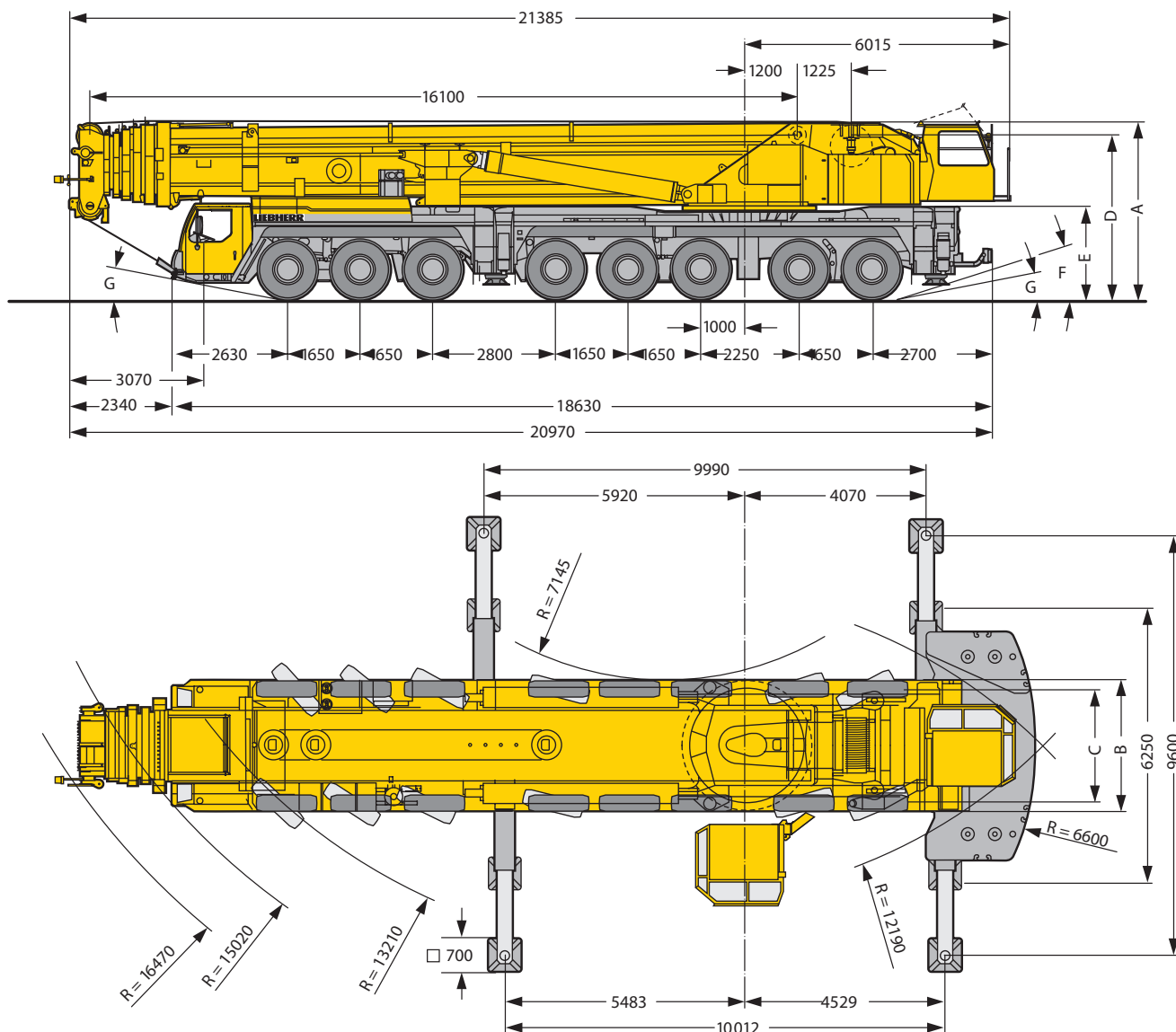


500-tons weg-/terreinkraan

Liebherr LTM 1500-8.1



KRAANVERHUUR
BOEKESTIJN



Maattabel (maten in mm)

A	B	C	E	G
4000	3000	2552	1975	12°

Algemene informatie

Stempelschotten	Stempelbasis	Draaicircel ballast	Hoofdmastlengte	Jiblengte	Hijsblokken (gewicht)	Reeptrek
4,20 x 2,45 m	10,0 x 9,6 m	R = 6,6 m	50 m	max. 91 m	SWL 12,5 ton (600 kg)	12,6 ton
			84 m		SWL 36,0 ton (1250 kg)	
					SWL 84,0 ton (1800 kg)	
					SWL 130,0 ton (2300 kg)	
					SWL 250,0 ton (3700 kg)	

Technische wijzigingen, beschikbaarheid, zet- en drukfouten voorbehouden, 1 juni 2011

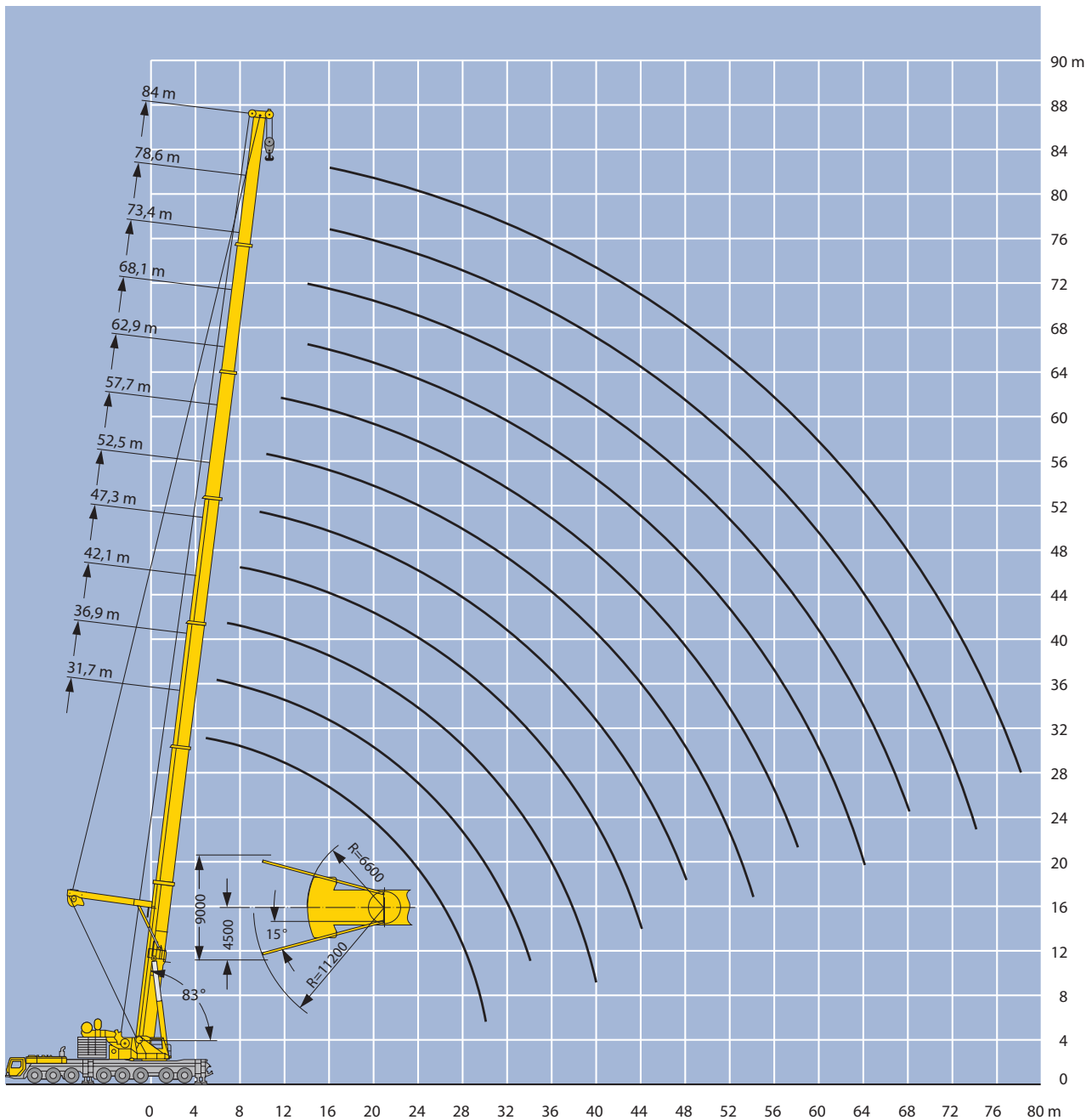


KRAANVERHUUR
BOEKESTIJN

500-tons weg-/terreinkraan

Liebherr LTM 1500-8.1

Hoofdmast met afspanning (TY3)



Technische wijzigingen, beschikbaarheid, zet- en drukfouten voorbehouden, 1 juni 2011

500-tons weg-/terreinkraan

Liebherr LTM 1500-8.1

500t

KRAANVERHUUR
BOEKESTIJN

Heftabel 50 meter hoofdmast met / zonder afspanning (50 T / TY3)

Stempelbasis (m): 10,00 x 9,60 (breed)
Ballast: maximaal 165 ton
Inzet: 360° draaibaar

mastlengte (m)	16.1*	21.3	26.5	31.7	[31.7]	36.9	[36.9]	42.1	[42.1]	47.3	[47.3]	50.0	[50]	last in tonnen
	mastlengte (m)													
3.0	500.0													3.0
3.5	400.0	272.0												3.5
4.0	325.0	267.0	247.0											4.0
4.5	274.0	263.0	238.0											4.5
5.0	268.0	251.0	231.0	187.0	190.0									5.0
6.0	238.0	221.0	212.0	171.0	184.0	150.0	193.0							6.0
7.0	213.0	199.0	195.0	158.0	179.0	139.0	180.0	121.0	167.0					7.0
8.0	193.0	179.0	178.0	147.0	174.0	129.0	166.0	113.0	155.0	98.0	142.0		120.0	8.0
9.0	176.0	162.0	161.0	138.0	162.0	120.0	154.0	106.0	144.0	93.0	134.0	81.0	120.0	9.0
10.0	161.0	147.0	146.0	130.0	149.0	112.0	142.0	100.0	134.0	88.0	126.0	76.0	120.0	10.0
12.0	133.0	124.0	122.0	111.0	129.0	98.0	123.0	88.0	117.0	80.0	111.0	69.0	108.0	12.0
14.0	113.0	106.0	104.0	99.0	111.0	87.0	109.0	79.0	105.0	72.0	100.0	62.0	97.0	14.0
16.0		92.0	90.0	89.0	97.0	78.0	97.0	71.0	93.0	64.0	91.0	56.0	88.0	16.0
18.0		80.0	79.0	79.0	85.0	71.0	86.0	63.0	84.0	58.0	83.0	52.0	81.0	18.0
20.0		66.0	71.0	70.0	75.0	63.0	76.0	57.0	74.0	53.0	75.0	47.0	74.0	20.0
22.0			63.0	62.0	67.0	59.0	68.0	53.0	66.0	48.5	67.0	42.5	68.0	22.0
24.0			57.0	56.0	60.0	55.0	61.0	49.5	59.0	44.0	60.0	38.5	61.0	24.0
26.0				50.0	54.0	50.0	55.0	46.0	53.0	41.0	55.0	35.5	55.0	26.0
28.0				46.0	47.5	46.0	50.0	43.0	48.5	38.0	49.5	33.0	49.5	28.0
30.0				42.0	38.5	42.0	46.0	40.5	44.0	35.5	45.0	30.5	45.5	30.0
32.0						38.5	42.0	37.0	40.0	33.0	41.0	27.9	41.5	32.0
34.0						35.5	36.0	34.5	36.5	31.0	37.5	26.3	38.0	34.0
36.0								32.5	33.5	29.4	34.5	24.7	34.5	36.0
38.0								30.5	30.5	27.9	32.0	23.3	32.0	38.0
40.0								28.6	24.5	26.4	29.3	21.9	29.5	40.0
42.0										24.9	27.1	20.6	27.3	42.0
44.0										23.5	24.4	19.4	25.3	44.0
46.0										18.0	15.0	18.2	23.5	46.0
48.0												17.0	17.7	48.0

* achterover [...] afgespannen

Heftabel 84 meter hoofdmast met afspanning (84 TY3)

Stempelbasis (m): 10,00 x 9,60 (breed)
Ballast: maximaal 165 ton
Inzet: 360° draaibaar

mastlengte (m)	31.7	36.9	42.1	47.3	52.5	57.7	62.9	68.1	73.4	78.6	84.0	last in tonnen	
	mastlengte (m)												
5.0	204.0											5.0	
6.0	198.0	167.0										6.0	
7.0	190.0	162.0	127.0									7.0	
8.0	170.0	157.0	123.0	121.0								8.0	
9.0	154.0	147.0	119.0	117.0	111.0							9.0	
10.0	140.0	135.0	115.0	113.0	107.0	96.0						10.0	
12.0	120.0	114.0	108.0	105.0	101.0	91.0	81.0					12.0	
14.0	103.0	104.0	96.0	96.0	91.0	86.0	77.0	70.0	62.0			14.0	
16.0	93.0	93.0	86.0	86.0	83.0	79.0	74.0	66.0	59.0	52.0	44.0	16.0	
18.0	83.0	83.0	82.0	79.0	75.0	73.0	69.0	63.0	57.0	49.5	42.0	18.0	
20.0	73.0	74.0	74.0	73.0	70.0	67.0	65.0	59.0	54.0	47.5	40.5	20.0	
22.0	65.0	67.0	67.0	66.0	66.0	61.0	60.0	55.0	52.0	45.5	38.5	22.0	
24.0	59.0	60.0	60.0	61.0	60.0	57.0	55.0	52.0	49.0	44.0	36.5	24.0	
26.0	53.0	55.0	54.0	55.0	54.0	53.0	51.0	49.5	45.5	42.0	35.0	26.0	
28.0	47.5	49.5	49.0	50.0	48.5	50.0	47.0	46.5	42.0	40.0	33.5	28.0	
30.0	36.5	45.0	44.5	46.0	44.5	45.5	43.0	43.0	39.0	38.5	32.0	30.0	
32.0		41.0	40.5	42.0	40.5	41.5	39.5	40.0	36.5	36.0	30.5	32.0	
34.0		36.5	37.0	38.5	37.0	38.0	36.0	37.0	33.5	33.5	29.4	34.0	
36.0			34.0	35.5	34.0	35.0	33.0	34.0	30.5	31.0	28.1	36.0	
38.0			31.5	32.5	31.0	32.0	30.5	31.5	28.3	28.7	26.9	38.0	
40.0			24.6	30.0	28.7	29.7	27.8	28.8	26.0	26.5	25.8	40.0	
42.0				27.9	26.4	27.5	25.6	26.6	24.0	24.6	24.2	42.0	
44.0				24.7	24.4	25.4	23.5	24.5	22.0	22.8	22.5	44.0	
46.0				15.2	22.5	23.5	21.7	22.6	20.1	21.1	20.8	46.0	
48.0					20.8	21.8	20.0	20.9	18.4	19.4	19.3	48.0	
50.0					16.0	20.3	18.4	19.4	16.8	17.8	17.9	50.0	
52.0						18.9	16.9	17.9	15.4	16.4	16.6	52.0	
54.0						16.2	15.6	16.6	14.1	15.1	15.2	54.0	
56.0							10.8	14.4	15.3	12.8	13.8	56.0	
58.0								12.6	14.2	11.7	12.7	58.0	
60.0								9.3	13.1	10.6	11.6	60.0	
62.0									12.1	9.6	10.6	62.0	
64.0									9.7	8.7	9.6	64.0	
66.0										7.8	8.7	66.0	
68.0										5.9	7.9	68.0	
70.0											7.0	7.3	70.0
72.0											5.9	6.6	72.0
74.0											4.1	5.8	74.0
76.0												5.0	76.0
78.0												3.8	78.0

Technische wijzigingen, beschikbaarheid, zet- en drukfouten voorbehouden, 1 juni 2011



KRAANVERHUUR
BOEKESTIJN

500-tons weg-/terreinkraan

Liebherr LTM 1500-8.1

Heftabel 84 meter hoofdmast zonder afspanning (84 T)

Stempelbasis (m): 10,00 x 9,60 (breed)

Ballast: maximaal 135 ton

Inzet: 360° draaibaar

mastlengte (m)	last in tonnen														mastlengte (m)
	16.1	21.3	26.5	31.7	36.9	42.1	47.3	52.5	57.7	62.9	68.1	73.4	78.6	84.0	
3.0	500.0														3.0
3.5	400.0	262.0													50.0
4.0	325.0	262.0	248.0												4.0
4.5	261.0	259.0	239.0												4.5
5.0	245.0	243.0	229.0	183.0											5.0
6.0	216.0	214.0	208.0	168.0	145.0										6.0
7.0	192.0	190.0	190.0	156.0	133.0	116.0									7.0
8.0	173.0	170.0	170.0	145.0	123.0	107.0	93.0								8.0
9.0	156.0	153.0	153.0	134.0	114.0	100.0	87.0	73.0							9.0
10.0	141.0	138.0	138.0	124.0	106.0	94.0	81.0	69.0	60.0						10.0
12.0	117.0	114.0	114.0	107.0	92.0	83.0	72.0	63.0	54.0	46.5	41.0				12.0
14.0	99.0	97.0	97.0	93.0	80.0	73.0	63.0	57.0	49.5	43.0	38.0	33.5			14.0
16.0		82.0	82.0	83.0	71.0	63.0	57.0	52.0	45.0	39.0	35.0	31.0	27.4	20.9	16.0
18.0		71.0	71.0	71.0	65.0	55.0	50.0	46.0	41.5	36.0	32.5	28.8	25.8	19.5	18.0
20.0		56.0	61.0	62.0	58.0	49.5	45.0	41.5	38.0	33.0	30.0	26.8	24.2	18.2	20.0
22.0			53.0	54.0	53.0	45.0	40.0	37.5	35.0	30.5	27.8	24.9	22.6	16.8	22.0
24.0			47.0	47.5	46.0	40.5	36.5	34.0	32.0	28.2	25.9	23.2	21.1	15.6	24.0
26.0				42.5	40.5	36.5	34.0	30.5	28.9	25.9	24.1	21.6	19.8	14.4	26.0
28.0				37.5	36.0	33.5	31.5	28.1	26.8	24.0	22.5	20.2	18.6	13.4	28.0
30.0				32.5	32.0	31.0	28.9	26.0	24.8	22.2	20.7	18.6	17.4	12.4	30.0
32.0					28.3	28.5	26.6	24.0	23.0	20.6	19.0	17.3	16.3	11.4	32.0
34.0					25.3	26.6	24.5	22.2	21.4	19.0	17.5	16.1	15.0	10.2	34.0
36.0						24.2	22.5	20.5	19.8	17.4	16.1	15.0	13.9	9.2	36.0
38.0						21.7	20.3	18.9	18.3	15.8	15.0	13.9	12.9	8.4	38.0
40.0						19.4	18.0	17.4	16.9	14.2	14.0	12.9	12.0	7.6	40.0
42.0							16.1	15.9	15.6	13.2	13.0	12.0	11.2	6.9	42.0
44.0							14.3	14.5	14.3	12.1	11.9	11.0	10.3	6.2	44.0
46.0							9.2	13.2	13.1	11.2	10.9	10.1	9.5	5.5	46.0
48.0								11.8	11.9	10.3	9.9	9.3	8.8	4.8	48.0
50.0								8.8	10.8	9.4	8.9	8.7	8.1	4.2	50.0
52.0									9.6	8.5	8.2	8.1	7.6	3.8	52.0
54.0									8.5	7.7	7.6	7.5	7.2	3.5	54.0
56.0									5.2	6.9	7.0	6.9	6.7	3.2	56.0
58.0										6.2	6.4	6.4	6.3	2.8	58.0
60.0										5.4	5.8	5.8	5.9	2.5	60.0
62.0											5.3	5.3	5.4	2.2	62.0
64.0												4.7	4.8	1.9	64.0
66.0													3.2	4.3	66.0
68.0														3.8	68.0
70.0														3.4	70.0
72.0															72.0
74.0															74.0

Technische wijzigingen, beschikbaarheid, zet- en drukfouten voorbehouden, 1 juni 2011

500-tons weg-/terreinkraan

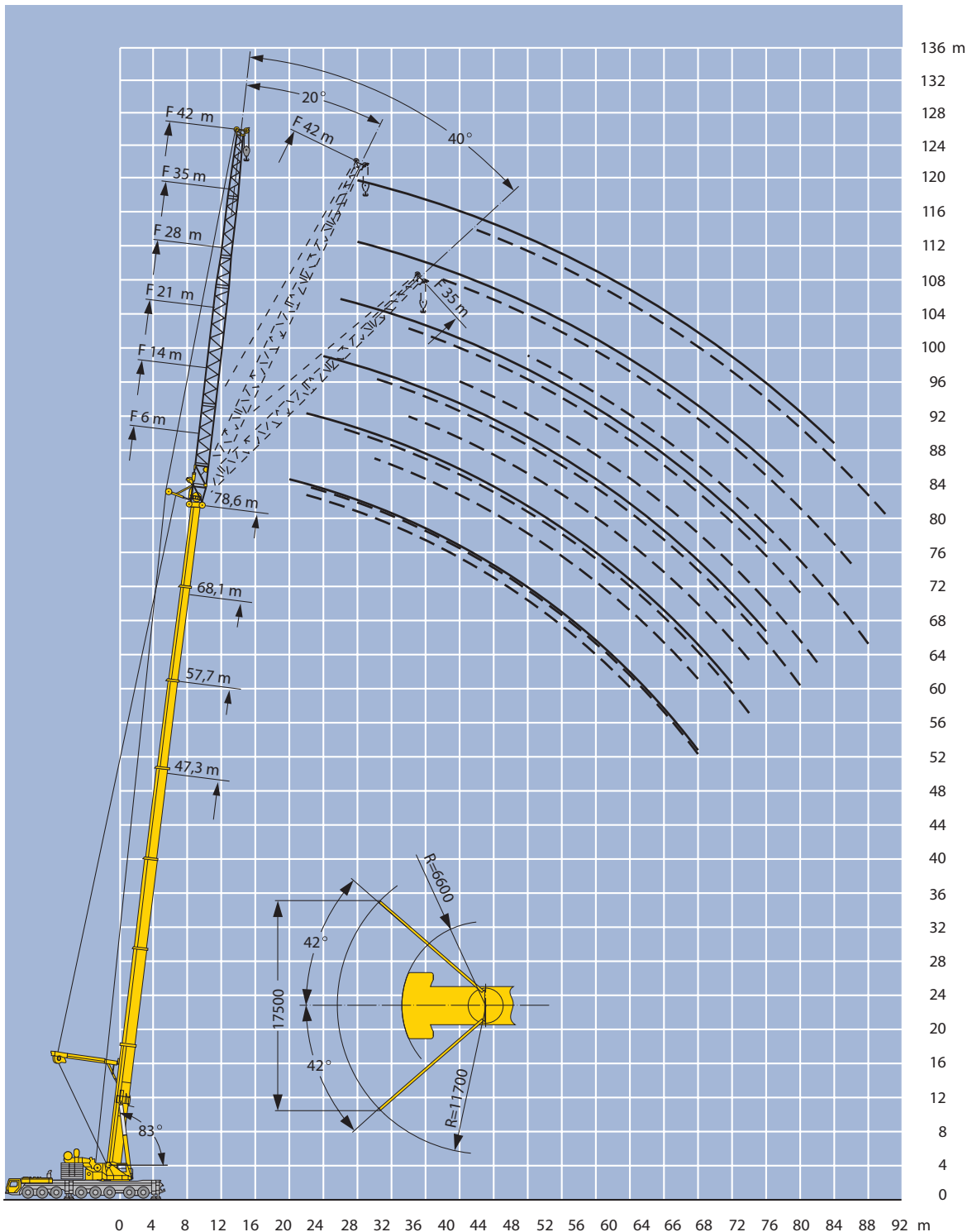
Liebherr LTM 1500-8.1



KRAANVERHUUR
BOEKESTIJN

Hoofdmast met afspanning (TY3ENZF) hydraulisch verstelbare jib en excenter

Technische wijzigingen, beschikbaarheid, zet- en drukfouten voorbehouden, 1 juni 2011





KRAANVERHUUR
BOEKESTIJN

500-tons weg-/terreinkraan

Liebherr LTM 1500-8.1

Heftabel hoofdmast 50 meter met afspanning, excenter en hydraulisch verstelbare jib 0°-40° (50 TY3ENZF)

Stempelbasis (m): 10,00 x 9,60 (breed)

Ballast: maximaal 165 ton

Inzet: 360° draaibaar, hoofdmast incl. 2,2 meter adapter

last in tonnen

mastlengte (m)	47,3 + 2,2														mastlengte (m)
	14.0		21.0		28.0		35.0		42.0		49.0		56.0	63.0	
jiblengte jibhoek	0°	40°	0°	40°	0°	40°	0°	40°	0°	40°	0°	40°	0°	0°	
10.0															10.0
12.0	76.0														12.0
14.0	71.0		50.0		38.0										14.0
16.0	67.0		46.5		35.5		28.4								16.0
18.0	63.0		43.5		33.5		26.7		21.9		17.3				18.0
20.0	60.0	34.0	41.5		31.0		25.2		20.6		16.4		13.1	11.1	20.0
22.0	57.0	33.0	39.0		29.6		23.7		19.6		15.5		12.4	10.6	22.0
24.0	53.0	32.5	37.0		28.0		22.5		18.5		14.8		11.8	10.1	24.0
26.0	49.5	32.0	35.0	20.0	26.4		21.3		17.6		14.0		11.2	9.6	26.0
28.0	46.0	31.0	33.5	19.5	25.3		20.1		16.7		13.3		10.6	9.2	28.0
30.0	43.5	30.5	32.0	19.1	24.1		19.2		15.8		12.7		10.1	8.7	30.0
32.0	40.0	29.9	30.5	18.8	23.0	13.1	18.4		15.1		12.1		9.6	8.3	32.0
34.0	36.5	29.3	29.1	18.5	21.8	12.8	17.5		14.4		11.4		9.1	7.9	34.0
36.0	33.5	28.9	27.8	18.2	20.9	12.6	16.7	9.7	13.8		10.9		8.7	7.5	36.0
38.0	31.0	28.5	26.5	17.9	20.1	12.3	15.9	9.4	13.2		10.5		8.2	7.1	38.0
40.0	28.3	28.2	25.4	17.7	19.2	12.1	15.3	9.2	12.5		10.0		7.9	6.8	40.0
42.0	26.0	27.8	24.5	17.5	18.3	11.9	14.7	9.0	12.0	6.7	9.5		7.5	6.5	42.0
44.0	24.0	25.9	23.6	17.3	17.6	11.7	14.1	8.8	11.5	6.5	9.1		7.2	6.2	44.0
46.0	22.1	23.8	22.6	17.2	17.0	11.5	13.5	8.6	11.1	6.3	8.7		6.8	5.9	46.0
48.0	20.4		21.2	17.1	16.3	11.4	12.9	8.4	10.6	6.2	8.4	4.5	6.4	5.6	48.0
50.0	18.9		19.6	17.0	15.7	11.2	12.5	8.3	10.2	6.0	8.0	4.4	6.2	5.3	50.0
52.0	17.4		18.2	17.0	15.0	11.1	12.0	8.1	9.8	5.9	7.7	4.3	5.9	5.0	52.0
54.0	16.1		16.8	17.0	14.5	11.1	11.5	8.0	9.4	5.8	7.4	4.2	5.6	4.8	54.0
56.0	14.9		15.6		14.1	11.0	11.0	7.9	9.0	5.6	7.0	4.1	5.4	4.5	56.0
58.0	13.7		14.4		13.6	10.9	10.6	7.8	8.7	5.5	6.8	4.0	5.1	4.3	58.0
60.0	10.7		13.4		13.2	10.9	10.3	7.7	8.3	5.4	6.5	3.9	4.8	4.1	60.0
62.0			12.4		12.7		9.9	7.7	7.9	5.3	6.2	3.8	4.6	3.9	62.0
64.0			11.5		12.0		9.6	7.6	7.6	5.2	5.9	3.8	4.4	3.7	64.0
66.0			9.4		11.1		9.3	7.6	7.4	5.2	5.7	3.7	4.2	3.5	66.0
68.0					10.3		8.9	7.6	7.1	5.1	5.4	3.6	4.1	3.3	68.0
70.0					9.5		8.7		6.9	5.1	5.2	3.6	3.9	3.2	70.0
72.0					8.0		8.4		6.6	5.0	5.0	3.5	3.7	3.0	72.0
74.0					5.7		8.2		6.3	5.0	4.8	3.5	3.5	2.8	74.0
76.0							7.9		6.1		4.6	3.5	3.4	2.7	76.0
78.0							6.8		5.9		4.4	3.4	3.2	2.5	78.0
80.0							5.0		5.8		4.2	3.4	3.1	2.4	80.0
82.0									5.6		4.1	3.4	3.0	2.3	82.0
84.0									5.4		3.9		2.8	2.1	84.0
86.0									4.3		3.8		2.7	2.0	86.0
88.0											3.7		2.6	1.9	88.0
90.0											3.6		2.5	1.8	90.0
92.0											3.4		2.4	1.7	92.0
94.0											2.3		2.3	1.6	94.0
96.0													2.2	1.5	96.0
98.0													2.2	1.4	98.0
100.0														1.3	100.0

Technische wijzigingen, beschikbaarheid, zet- en drukfouten voorbehouden, 1 juni 2011

500-tons weg-/terreinkraan

Liebherr LTM 1500-8.1



KRAANVERHUUR
BOEKESTIJN

Technische wijzigingen, beschikbaarheid, zet- en drukfouten voorbehouden, 1 juni 2011

Heftabel hoofdmast 84 meter met afspanning, excenter en hydraulisch verstelbare jib 0°- 40° (84 TY3ENZF)

Stempelbasis (m): 10,00 x 9,60 (breed)

Ballast: maximaal 165 ton

Inzet: 360° draaibaar, hoofdmast incl. 2,2 meter adapter

68,1 + 2,2												last in tonnen	
mastlengte (m)											mastlengte (m)		
jiblengte jibhoek	14.0		21.0		28.0		35.0		42.0		49.0	56.0	jiblengte jibhoek
	0°	40°	0°	40°	0°	40°	0°	40°	0°	20°	0°	0°	
18.0	48.5												18.0
20.0	46.0		38.5		29.3								20.0
22.0	43.5		37.0		28.1		22.6						22.0
24.0	40.5		35.0		27.0				17.2				24.0
26.0	38.5	24.4	33.5		26.0		20.8		16.4		12.9		26.0
28.0	35.5	24.0	31.5		24.9		20.0		15.8		12.4	10.5	28.0
30.0	33.0	23.7	30.0	14.5	24.0		19.2		15.2		11.9	10.1	30.0
32.0	30.5	23.3	28.4	15.1	23.2		18.5		14.6		11.4	9.7	32.0
34.0	28.2	23.1	26.9	15.1	22.4		17.9		14.0		10.9	9.3	34.0
36.0	26.2	22.8	25.5	14.9	21.6	8.9	17.2		13.5		10.5	8.9	36.0
38.0	24.3	22.6	23.7	14.6	20.8	9.2	16.6		13.1	9.7	10.1	8.5	38.0
40.0	22.3	22.4	22.2	14.4	20.0	9.4	16.1		12.6	9.6	9.8	8.2	40.0
42.0	20.4	22.2	20.5	14.2	19.2	9.6	15.6	6.5	12.1	9.3	9.4	7.9	42.0
44.0	18.6	21.6	18.8	14.1	18.4	9.6	15.1	6.7	11.8	9.1	9.0	7.6	44.0
46.0	17.0	19.8	17.3	13.9	17.4	9.4	14.7	6.8	11.4	8.8	8.7	7.3	46.0
48.0	15.4	18.1	15.8	13.7	16.0	9.2	14.2	6.8	11.0	8.5	8.4	7.0	48.0
50.0	14.0	16.5	14.4	13.6	14.7	9.1	13.7	6.7	10.7	8.3	8.2	6.7	50.0
52.0	12.7	15.0	13.2	13.5	13.4	9.0	13.1	6.6	10.3	8.1	7.9	6.5	52.0
54.0	11.4	13.5	12.0	13.4	12.3	8.9	12.4	6.5	9.9	7.8	7.6	6.3	54.0
56.0	10.0	12.1	10.9	13.2	11.2	8.7	11.4	6.4	9.5	7.6	7.3	6.0	56.0
58.0	8.6	10.8	9.8	12.7	10.2	8.6	10.4	6.3	9.0	7.4	7.1	5.8	58.0
60.0	7.5	9.6	8.6	11.4	9.2	8.5	9.5	6.2	8.6	7.2	6.9	5.6	60.0
62.0	6.4		7.4	10.2	8.3	8.5	8.6	6.1	8.2	7.0	6.7	5.3	62.0
64.0	5.4		6.3	9.1	7.5	8.4	7.7	6.0	7.8	6.8	6.4	5.2	64.0
66.0	4.3		5.3	8.0	6.6	8.2	7.0	5.9	7.0	6.6	6.2	5.0	66.0
68.0	3.2		4.4	7.0	5.7	7.8	6.2	5.8	6.3	6.4	6.0	4.8	68.0
70.0	2.5		3.5		4.8	7.3	5.5	5.8	5.6	6.3	5.8	4.6	70.0
72.0	1.8		2.6		4.0	6.7	4.8	5.7	4.9	6.1	5.2	4.5	72.0
74.0			1.6		3.2	5.8	4.2	5.6	4.3	5.9	4.6	4.3	74.0
76.0					2.4		3.6	5.6	3.7	5.7	4.0	3.9	76.0
78.0					1.5		2.9	5.5	3.2	5.0	3.4	3.4	78.0
80.0							2.2	4.7	2.6	4.5	2.9	2.8	80.0
82.0								4.1	2.1	3.9	2.4	2.3	82.0
84.0									1.6	3.3	1.9	1.9	84.0
86.0										2.7	1.4	1.4	86.0
88.0										2.2			88.0
90.0										1.6			90.0



KRAANVERHUUR
BOEKESTIJN

500-tons weg-/terreinkraan

Liebherr LTM 1500-8.1

Heftabel hoofdmast 84 meter met afspanning, excenter en hydraulisch verstelbare jib 0°- 40° (84 TY3ENZF)

Stempelbasis (m): 10,00 x 9,60 (breed)

Ballast: maximaal 165 ton

Inzet: 360° draaibaar, hoofdmast incl. 2,2 meter adapter

mastlengte (m)	78,6 + 2,2										last in tonnen
	14.0		21.0		28.0		35.0		42.0		
jiblengte jibhoek	0°	40°	0°	40°	0°	40°	0°	40°	0°	20°	jiblengte jibhoek
22.0	27.7										22.0
24.0	26.4		22.0								24.0
26.0	25.3		21.0		17.0						26.0
28.0	24.1		20.1		16.3		13.8		12.5		28.0
30.0	23.1	19.2	19.3		15.6		13.2		12.3		30.0
32.0	22.2	19.0	18.5		15.0		12.7		11.8		32.0
34.0	21.3	18.5	17.7	11.7	14.3		12.1		11.3		34.0
36.0	20.3	18.0	17.0	11.7	13.7		11.6		10.9		36.0
38.0	19.3	17.5	16.3	11.7	13.2		11.1		10.4		38.0
40.0	18.3	16.9	15.7	11.8	12.7	6.8	10.7		10.0		40.0
42.0	17.3	16.4	15.1	11.8	12.1	6.8	10.3		9.6	6.7	42.0
44.0	16.2	15.9	14.6	11.8	11.7	6.8	9.8		9.3	6.5	44.0
46.0	15.2	15.4	14.0	11.8	11.3	6.8	9.4	4.7	8.9	6.4	46.0
48.0	14.2	14.9	13.4	11.8	10.8	6.8	9.1	4.7	8.5	6.3	48.0
50.0	13.2	14.5	12.8	11.6	10.4	6.8	8.7	4.7	8.2	6.1	50.0
52.0	12.2	13.8	12.0	11.2	10.0	6.9	8.4	4.8	7.9	6.0	52.0
54.0	11.2	13.0	11.2	10.9	9.6	6.9	8.1	4.8	7.6	5.9	54.0
56.0	10.2	12.1	10.3	10.6	8.9	6.9	7.7	4.8	7.3	5.8	56.0
58.0	9.1	11.3	9.5	10.3	8.2	6.9	7.4	4.8	7.0	5.7	58.0
60.0	8.0	10.4	8.7	9.8	7.5	6.9	6.9	4.8	6.7	5.6	60.0
62.0	6.9	9.2	7.7	9.4	6.8	6.9	6.5	4.8	6.5	5.5	62.0
64.0	5.8	8.0	6.8	9.0	6.2	6.8	6.0	4.9	6.2	5.4	64.0
66.0	4.7	6.8	5.8	8.5	5.5	6.6	5.5	4.9	6.0	5.3	66.0
68.0	3.8	5.6	4.9	7.7	4.7	6.4	5.1	4.9	5.8	5.2	68.0
70.0	3.1		3.9	6.7	4.0	6.1	4.6	4.9	5.5	5.1	70.0
72.0	2.3		3.0	5.6	3.3	5.9	3.9	4.8	5.0	5.0	72.0
74.0			2.5	4.6	2.5	5.4	3.2	4.7	4.4	4.8	74.0
76.0			2.0		1.8	4.6	2.5	4.6	3.8	4.6	76.0
78.0						3.8	1.9	4.4	3.3	4.5	78.0
80.0						3.0		4.3	2.8	4.3	80.0
82.0						2.2		3.7	2.3	4.1	82.0
84.0								3.0	1.5	3.6	84.0
86.0								2.4		3.0	86.0
88.0								1.8		2.5	88.0
90.0										1.8	90.0

Technische wijzigingen, beschikbaarheid, zet- en drukfouten voorbehouden, 1 juni 2011



KRAANVERHUUR
BOEKESTIJN

500-tons weg-/terreinkraan

Liebherr LTM 1500-8.1

Heftabel hoofdmast 50 meter (83°) met beweegbare jib zonder afspanning (50 TN)

Stempelbasis (m): 10,00 x 9,60 (breed)

Ballast: maximaal 165 ton

Inzet: 360° draaibaar, hoofdmast incl. 4,0 meter adapter

last in tonnen

mastlengte (m) jiblengte	16,1 + 4,0											26,5 + 4,0											mastlengte (m)	
	21.0	28.0	35.0	42.0	49.0	56.0	63.0	70.0	77.0	84.0	91.0	21.0	28.0	35.0	42.0	49.0	56.0	63.0	70.0	77.0	84.0	91.0		
14.0	110.0	102.0										98.0											14.0	
16.0	103.0	94.0	84.0									90.0	83.0										16.0	
18.0	93.0	88.0	80.0	69.0								83.0	77.0	69.0									18.0	
20.0	84.0	82.0	75.0	66.0	56.0							79.0	72.0	66.0	58.0								20.0	
22.0	77.0	76.0	72.0	63.0	54.0	44.5						74.0	68.0	63.0	56.0	48.0							22.0	
24.0	58.0	70.0	68.0	61.0	53.0	43.0	37.0					68.0	65.0	60.0	54.0	46.5	38.5						24.0	
26.0		64.0	64.0	59.0	51.0	41.5	36.5	27.7				62.0	57.0	52.0	45.5	38.0	32.5						26.0	
28.0		59.0	59.0	57.0	49.5	40.0	35.5	26.6	24.5			57.0	55.0	50.0	44.5	37.0	31.5	25.4					28.0	
30.0		47.5	54.0	54.0	48.0	38.5	34.5	25.5	23.6			53.0	53.0	48.0	43.0	36.5	31.0	24.5	22.0				30.0	
32.0			51.0	50.0	47.0	37.5	34.0	24.5	22.8	17.6		48.5	49.0	46.5	41.5	35.5	30.5	23.7	21.6	17.0			32.0	
34.0			45.5	47.0	46.5	36.0	33.0	23.6	22.1	17.0	14.8		46.0	45.5	40.5	35.0	30.0	22.9	21.1	16.4	14.2		34.0	
36.0			37.0	44.0	43.5	35.0	32.5	22.7	21.4	16.3	14.3		43.0	42.5	39.0	34.0	29.7	22.2	20.6	15.9	13.8		36.0	
38.0			28.8	41.5	41.0	34.0	31.5	21.9	20.7	15.7	13.8		40.5	40.0	38.5	33.0	29.2	21.5	20.0	15.4	13.4		38.0	
40.0				36.0	38.5	33.0	31.0	21.2	20.1	15.2	13.4			38.0	37.5	32.5	28.7	20.8	19.5	14.9	13.0		40.0	
42.0				30.5	36.5	32.5	30.5	20.5	19.5	14.6	13.0			35.5	35.0	31.5	28.1	20.2	19.0	14.4	12.6		42.0	
44.0				25.1	34.0	31.5	29.9	19.9	19.0	14.2	12.5			32.0	33.5	31.0	27.5	19.6	18.5	14.0	12.2		44.0	
46.0					29.9	31.0	29.4	19.2	18.5	13.8	12.2			25.6	31.5	30.0	27.1	19.0	18.1	13.6	11.9		46.0	
48.0					25.6	30.0	28.9	18.7	18.0	13.4	11.9				30.0	29.4	26.8	18.5	17.7	13.2	11.6		48.0	
50.0					21.4	28.0	28.4	18.2	17.5	13.0	11.6				28.1	27.9	26.5	18.0	17.2	12.8	11.3		50.0	
52.0					17.4	24.9	27.5	17.8	17.0	12.6	11.3				23.6	26.6	26.2	17.7	16.8	12.4	11.0		52.0	
54.0						21.6	25.8	17.4	16.7	12.2	11.0					25.3	25.1	17.3	16.4	12.1	10.7		54.0	
56.0						18.4	23.5	17.1	16.4	11.9	10.7					22.4	23.9	17.0	16.2	11.8	10.5		56.0	
58.0						15.3	21.3	16.7	16.1	11.6	10.4					18.9	22.9	16.7	15.9	11.5	10.3		58.0	
60.0							18.7	16.4	15.8	11.3	10.2					15.6	21.9	16.4	15.7	11.3	10.1		60.0	
62.0							15.9	16.0	15.6	11.1	10.0						20.5	16.1	15.4	11.1	9.9		62.0	
64.0							13.2	15.7	15.3	10.9	9.8						17.5	15.8	15.2	10.9	9.7		64.0	
66.0							10.6	15.4	15.0	10.7	9.6							14.7	15.5	15.0	10.7	9.6		66.0
68.0								13.4	14.8	10.5	9.5								15.2	14.8	10.5	9.4		68.0
70.0								11.3	14.6	10.3	9.3								14.8	14.6	10.3	9.3		70.0
72.0								9.2	13.9	10.1	9.2								12.3	14.4	10.1	9.1		72.0
74.0									12.2	9.9	9.0								9.6	14.2	10.0	9.0		74.0
76.0									10.1	9.7	8.9									13.4	9.8	8.9		76.0
78.0									8.1	9.5	8.7									11.8	9.6	8.7		78.0
80.0									6.2	9.3	8.6									9.5	9.4	8.6		80.0
82.0										9.0	8.4										9.3	8.4		82.0
84.0										7.2	8.3										9.1	8.3		84.0
86.0										5.5	8.2										8.5	8.2		86.0
88.0											7.2										6.4	8.1		88.0
90.0											5.9											7.9		90.0
92.0											4.5											6.8		92.0
94.0											3.2											5.3		94.0

Technische wijzigingen, beschikbaarheid, zet- en drukfouten voorbehouden, 1 juni 2011

500-tons weg-/terreinkraan

Liebherr LTM 1500-8.1



KRAANVERHUUR
BOEKESTIJN

Technische wijzigingen, beschikbaarheid, zet- en drukfouten voorbehouden, 1 juni 2011

Heftabel hoofdmast 50 meter (83°) met beweegbare jib met afspanning en spacer (TY3SN)																								
Stempelbasis (m):		10,00 x 9,60 (breed)																						
Ballast:		maximaal 165 ton																						
Inzet:		360° draaibaar, hoofdmast incl. 4,0 meter adapter																						
mastlengte (m) jiblengte	36,9 + 4,0										47,3 + 4,0										last in tonnen mastlengte (m)			
	21.0	28.0	35.0	42.0	49.0	56.0	63.0	70.0	77.0	84.0	91.0	21.0	28.0	35.0	42.0	49.0	56.0	63.0	70.0	77.0		84.0	91.0	
14.0																							14.0	
16.0	94.0																							16.0
18.0	86.0	84.0										75.0												18.0
20.0	78.0	77.0	75.0									70.0	68.0											20.0
22.0	72.0	71.0	69.0	65.0								65.0	63.0	60.0										22.0
24.0	67.0	66.0	65.0	62.0	54.0							61.0	59.0	56.0	53.0									24.0
26.0	61.0	61.0	60.0	58.0	53.0	41.5						59.0	55.0	53.0	50.0	45.5								26.0
28.0		56.0	55.0	55.0	52.0	41.0	35.0					55.0	52.0	50.0	48.0	44.0	37.0							28.0
30.0		52.0	51.0	51.0	50.0	40.0	34.5	26.6				50.0	47.0	45.5	42.5	36.5	31.0							30.0
32.0		48.5	48.0	47.5	46.5	39.0	34.0	25.7	23.6			47.0	44.5	43.5	41.0	36.0	30.5							32.0
34.0			44.5	44.0	43.5	38.0	33.5	24.8	23.0			44.0	43.0	41.0	39.5	35.5	30.5	24.0						34.0
36.0			42.0	41.5	41.0	36.5	33.0	23.9	22.3	17.2			40.5	39.0	38.0	35.0	30.0	23.3	20.4					36.0
38.0			39.5	39.0	38.5	35.5	32.5	23.1	21.7	16.6	14.5		38.0	37.5	36.5	34.0	29.7	22.6	20.5	16.1				38.0
40.0			37.0	36.5	36.0	34.5	32.0	22.4	21.0	16.0	14.1		36.0	35.5	35.0	33.0	29.4	22.0	20.3	15.6	12.6			40.0
42.0				34.5	34.0	33.5	31.5	21.7	20.5	15.5	13.6		34.0	33.5	33.0	32.0	29.1	21.4	19.9	15.1	12.6			42.0
44.0				33.0	32.5	32.0	31.0	21.0	19.9	15.0	13.2			31.5	31.0	30.5	28.6	20.8	19.4	14.7	12.5			44.0
46.0				31.0	30.5	30.0	29.9	20.4	19.4	14.5	12.9			30.0	29.5	29.1	27.8	20.2	19.0	14.3	12.2			46.0
48.0					29.1	28.6	28.4	19.7	18.9	14.1	12.5			28.5	28.0	27.6	27.0	19.7	18.5	13.9	11.9			48.0
50.0					27.7	27.2	26.9	19.2	18.4	13.6	12.1				26.6	26.2	25.7	19.1	18.1	13.5	11.6			50.0
52.0					26.4	25.9	25.7	18.7	17.9	13.2	11.8				25.4	25.0	24.4	18.6	17.6	13.1	11.4			52.0
54.0					22.3	24.7	24.4	18.3	17.5	12.9	11.5				24.2	23.8	23.2	18.2	17.2	12.7	11.1			54.0
56.0						23.6	23.3	17.9	17.1	12.5	11.2				22.9	22.7	22.2	17.8	16.9	12.4	10.9			56.0
58.0						22.6	22.3	17.5	16.8	12.1	10.9					21.7	21.1	17.4	16.5	12.0	10.6			58.0
60.0						19.5	21.3	17.1	16.4	11.8	10.6					20.7	20.2	17.1	16.2	11.7	10.4			60.0
62.0							20.4	16.7	16.1	11.6	10.3					19.8	19.3	16.7	15.9	11.4	10.1			62.0
64.0							19.5	16.3	15.8	11.3	10.1						18.5	16.4	15.6	11.2	9.9			64.0
66.0							17.3	16.0	15.5	11.0	9.9						17.7	16.1	15.4	11.0	9.7			66.0
68.0							14.3	15.6	15.2	10.8	9.7						17.0	15.8	15.1	10.7	9.5			68.0
70.0								15.4	14.9	10.6	9.5						15.3	15.4	14.8	10.5	9.4			70.0
72.0								14.8	14.6	10.3	9.4							15.2	14.6	10.3	9.2			72.0
74.0								12.4	14.4	10.1	9.2							14.7	14.1	10.1	9.0			74.0
76.0									14.2	9.8	9.0							13.6	13.5	9.9	8.9			76.0
78.0									13.5	9.6	8.8								13.0	9.7	8.7			78.0
80.0									11.4	9.5	8.7								12.5	9.5	8.6			80.0
82.0									9.5	9.3	8.5								12.0	9.3	8.5			82.0
84.0										9.2	8.3								10.5	9.1	8.3			84.0
86.0										9.1	8.2									9.0	8.2			86.0
88.0											8.5	8.1									9.0	8.0		88.0
90.0												8.0									8.9	7.9		90.0
92.0													7.9									7.8		92.0
94.0														7.6									7.8	94.0
96.0															5.8								7.6	96.0
98.0																							6.4	98.0



KRAANVERHUUR
BOEKESTIJN

500-tons weg-/terreinkraan

Liebherr LTM 1500-8.1

Heftabel hoofdmast 84 meter (83°) met beweegbare jib met afspanning en spacer (84 TY3SN)

Stempelbasis (m): 10,00 x 9,60 (breed)

Ballast: maximaal 165 ton

Inzet: 360° draaibaar, hoofdmast incl. 4,0 meter adapter

last in tonnen

mastlengte (m)	57,7 + 4,0								68,1 + 4,0							78,6 + 4,0					mastlengte (m)									
	21.0	28.0	35.0	42.0	49.0	56.0	63.0	70.0	77.0	84.0	21.0	28.0	35.0	42.0	49.0	56.0	63.0	70.0	21.0	28.0		35.0	42.0	49.0	56.0					
18.0																									18.0					
20.0	53.0																								20.0					
22.0	49.5	47.5								40.5															22.0					
24.0	46.0	44.5	43.0							37.5	34.0													25.1	24.0					
26.0	43.0	42.0	40.5	39.5						35.0	32.0	30.5												23.3	18.9	26.0				
28.0	40.5	39.5	38.0	37.0						33.0	30.0	28.5												21.6	18.9	28.0				
30.0		37.0	36.0	35.0	33.0					31.5	28.3	26.9	25.3											20.1	17.7	15.8	30.0			
32.0		35.0	34.0	33.5	31.5	29.2				26.7	25.4	23.9	22.0											16.6	14.8	13.4	32.0			
34.0		33.0	32.5	31.5	30.0	27.9	24.7			25.3	23.9	22.6	20.9	18.1										15.6	13.9	12.6	34.0			
36.0		30.5	30.5	30.0	28.5	26.6	23.7	20.3		24.0	22.6	21.4	19.8	17.0	13.2									14.7	13.1	11.8	9.4	36.0		
38.0			29.1	28.5	26.9	25.5	22.7	19.5	15.5		21.6	20.3	18.8	16.0	12.4									13.9	12.4	11.1	8.8	3.9	38.0	
40.0			27.6	27.1	25.4	24.3	21.7	18.6	15.5	11.7		20.6	19.2	17.8	15.1	11.7	7.6								11.7	10.4	8.2	3.6	40.0	
42.0			25.9	25.8	24.0	23.2	20.6	17.7	15.3	11.7		19.6	18.3	16.9	14.2	10.9	7.1								11.0	9.8	7.6	3.3	42.0	
44.0				24.5	22.9	22.0	19.5	16.8	14.6	11.7		18.8	17.5	16.1	13.4	10.3	6.6								10.4	9.2	7.0	3.0	44.0	
46.0				23.3	21.8	20.8	18.5	15.9	13.9	11.5		16.7	15.3	12.6	9.7	6.2										8.7	6.5	2.8	46.0	
48.0				22.0	20.8	19.8	17.4	15.0	13.1	10.8		16.0	14.7	11.8	9.1	5.8										8.2	6.0	2.5	48.0	
50.0				20.4	19.8	18.9	16.5	14.1	12.4	10.2		15.3	14.0	11.1	8.5	5.3										7.7	5.6	2.3	50.0	
52.0					18.9	18.0	15.7	13.3	11.7	9.6		13.3	10.5	7.9	4.9											7.3	5.2	2.1	52.0	
54.0					18.2	17.2	15.0	12.5	11.0	9.0			12.7	9.9	7.4	4.6												4.8	1.9	54.0
56.0					17.5	16.4	14.3	11.9	10.3	8.4			12.1	9.4	6.9	4.2												4.5	1.7	56.0
58.0						15.7	13.6	11.3	9.7	7.9			11.6	8.9	6.4	3.9												4.2	1.5	58.0
60.0						15.1	13.0	10.7	9.1	7.4				8.4	6.0	3.6													1.3	60.0
62.0						14.5	12.4	10.2	8.6	6.9				8.0	5.5	3.3													1.1	62.0
64.0						13.6	11.8	9.6	8.1	6.4				7.6	5.1	3.1												1.0	64.0	
66.0							11.3	9.1	7.6	6.0					4.8	2.9														66.0
68.0							10.9	8.6	7.2	5.7					4.5	2.6														68.0
70.0							10.5	8.2	6.7	5.4					4.2	2.4														70.0
72.0								7.8	6.3	5.1					4.1	2.2														72.0
74.0								7.4	5.9	4.7						2.0														74.0
76.0								7.1	5.6	4.4						1.9														76.0
78.0								6.9	5.3	4.2						1.7														78.0
80.0									5.0	3.9																				80.0
82.0									4.8	3.7																				82.0
84.0									4.6	3.5																				84.0
86.0										3.3																				86.0
88.0										3.1																				88.0
90.0										3.0																				90.0
92.0										2.9																				92.0

Technische wijzigingen, beschikbaarheid, zet- en drukfouten voorbehouden, 1 juni 2011

500-tons weg-/terreinkraan

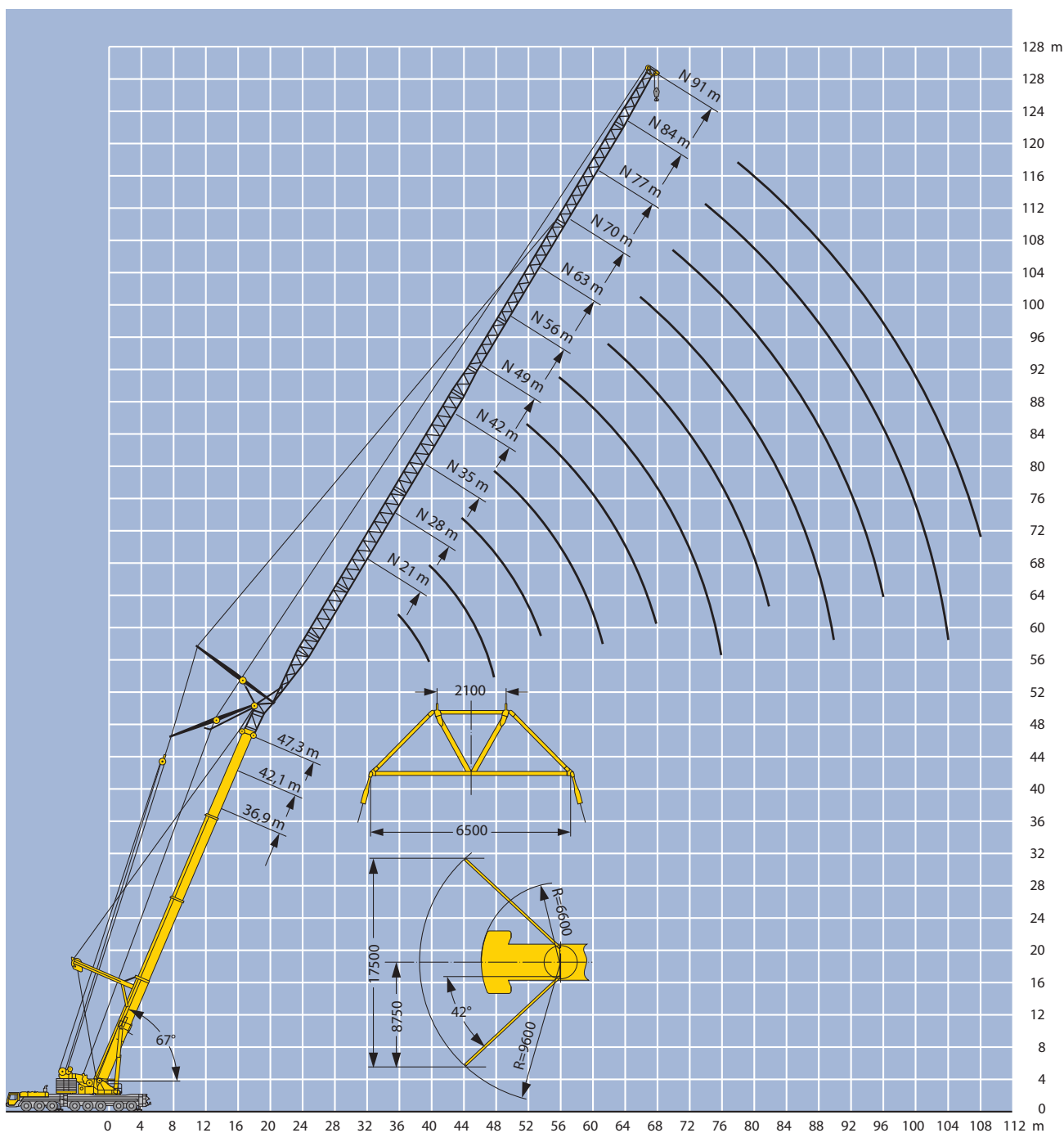
Liebherr LTM 1500-8.1

500t

KRAANVERHUUR
BOEKESTIJN

Technische wijzigingen, beschikbaarheid, zet- en drukfouten voorbehouden, 1 juni 2011

Hoofdmast met afspanning (TY3SN) beweegbare jib en spacer





KRAANVERHUUR
BOEKESTIJN

500-tons weg-/terreinkraan

Liebherr LTM 1500-8.1

Heftabel hoofdmast 50 meter (67°) met beweegbare jib met afspanning en spacer (50TY3SN)																										
Stempelbasis (m):		10,00 x 9,60 (breed)																								
Ballast:		maximaal 165 ton																								
Inzet:		360° draaibaar, hoofdmast incl. 4,0 meter adapter																								
36,9 + 4,0										47,3 + 4,0										last in tonnen						
mastlengte (m)	jiblengte	21.0	28.0	35.0	42.0	49.0	56.0	63.0	70.0	77.0	84.0	91.0	21.0	28.0	35.0	42.0	49.0	56.0	63.0	70.0	77.0	84.0	91.0	mastlengte (m)		
32.0	40.0																							32.0		
34.0	37.5																								34.0	
36.0	35.0	34.5											32.5												36.0	
38.0		32.0											30.5												38.0	
40.0		30.5	29.4										28.6	27.9											40.0	
42.0		28.7	27.8										26.3												42.0	
44.0		27.1	26.2	25.7									24.8	24.1											44.0	
46.0		24.8	24.3										23.5	22.8											46.0	
48.0		23.6	23.0	22.3									22.3	21.6	20.8										48.0	
50.0		22.4	21.8	21.2									20.5	19.7											50.0	
52.0		20.7	20.1	19.6									19.5	18.7	18.1										52.0	
54.0		19.8	19.1	18.6									18.5	17.8	17.2										54.0	
56.0		18.8	18.2	17.7	17.3								17.0	16.3	15.8										56.0	
58.0		18.0	17.3	16.8	16.4								16.2	15.5	15.0										58.0	
60.0			16.6	16.0	15.6	15.0							15.4	14.8	14.3										60.0	
62.0			15.8	15.3	14.9	14.3							14.7	14.1	13.6	12.9									62.0	
64.0			15.1	14.6	14.2	13.6	13.2						13.5	13.0	12.3										64.0	
66.0				13.9	13.5	13.0	12.5						12.9	12.4	11.7	11.4									66.0	
68.0				13.3	12.9	12.4	11.9	11.4					12.3	11.8	11.2	10.8									68.0	
70.0				12.8	12.4	11.8	11.4	10.8					11.3	10.6	10.3	9.6									70.0	
72.0				12.2	11.8	11.3	10.8	10.3	9.7				10.8	10.1	9.8	9.1									72.0	
74.0					11.3	10.7	10.3	9.8	9.2				10.3	9.7	9.3	8.6	8.1								74.0	
76.0					10.8	10.3	9.8	9.3	8.7				9.8	9.2	8.9	8.2	7.6								76.0	
78.0					10.4	9.8	9.4	8.8	8.3					8.8	8.5	7.8	7.2	6.9							78.0	
80.0					9.4	8.9	8.4	7.9						8.4	8.1	7.4	6.8	6.6							80.0	
82.0					9.0	8.5	8.0	7.4						8.1	7.7	7.0	6.5	6.2							82.0	
84.0					8.6	8.1	7.6	7.1							7.3	6.7	6.1	5.8							84.0	
86.0					8.3	7.8	7.2	6.7							7.0	6.3	5.8	5.5							86.0	
88.0						7.4	6.9	6.3							6.7	6.0	5.4	5.1							88.0	
90.0						7.1	6.6	6.0							6.4	5.7	5.1	4.9							90.0	
92.0						6.8	6.2	5.7								5.4	4.9	4.7							92.0	
94.0							5.9	5.4								5.1	4.7	4.5							94.0	
96.0							5.6	5.1								4.9	4.5	4.3							96.0	
98.0								5.4	4.9								4.3	4.1							98.0	
100.0								5.1	4.7								4.1	3.9							100.0	
104.0									4.3								3.7	3.5							104.0	
108.0																		3.1							108.0	

Technische wijzigingen, beschikbaarheid, zet- en drukfouten voorbehouden, 1 juni 2011